

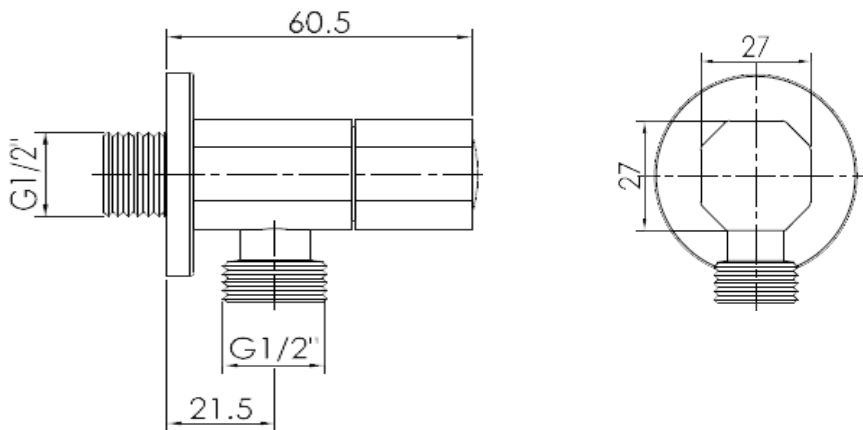
Angle Valve, Knob Handle

PRODUCT SPECIFICATIONS

- Dimension : 60.5 (L) x 27 (W) mm
- Material : Brass Chrome



TECHNICAL DRAWING



Copyright © Rigel Technology (S) Pte Ltd. All rights reserved. Terms of Use.